



Etac Clean mobile shower commode

Designed to assist users and carers with every day routines.

 **etac**[®]

Creating Possibilities

Etac Clean mobile shower commode

Clean is an award winning best seller. Every detail on the chair is designed for optimal function for both users and carers.

Improved access

The seat has a recess at the front and is fully open at the rear. This improves the accessibility for intimate hygiene.

The foot support is always available but never in the way

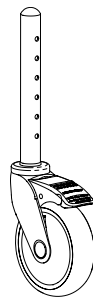
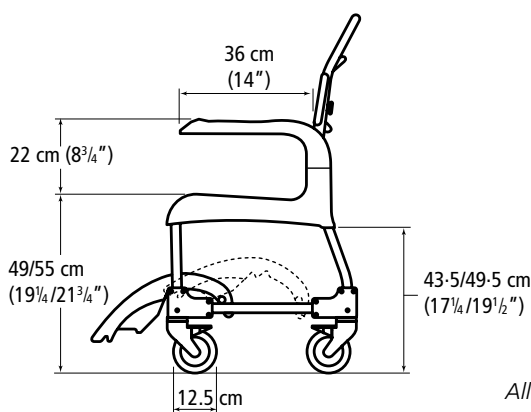
The foot support has a unique design. It can slide in underneath the seat when not needed. The softly curved surface provides comfort and stability for the feet and the heels are protected by the covered sides of the foot support. The arm supports can be taken off or swung away.

Easy manoeuvring and perfect fit

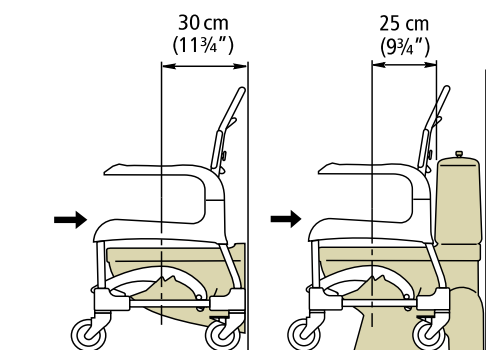
Clean is easy to manoeuvre thanks to the functional push handle design. Another strong advantage is the push handle's upright position. This makes Clean fit perfectly over any wall mounted toilet.

Durable construction

Clean has neither welding seams nor holes which reduces the risk of corrosion.



All 4 castors are lockable.



Fits both floor mounted and wall mounted toilets.

Description	Weight	Order Code
Clean 49 cm, 4 Lockable Castors, Grey	14 kg	80209270
Clean 49 cm, 4 Lockable Castors, Green	14 kg	80209220
Clean 55 cm, 4 Lockable Castors, Grey	14 kg	80209281
Clean 55 cm, 4 Lockable Castors, Green	14 kg	80209221

Materials
 Chassis: Powder-painted steel tubing
 Seat/back support: Polypropylene
 Arm supports: Polypropylene
 Foot support: Polypropylene
 Castor brackets: Polyamide
 Castors, lockable, ball-bearing: Polyamide/TPE

Exterior dimensions
 Total width: 520 mm Width between arm supports: 435 mm
 Seat width: 480 mm Total height: 990 – 1070 mm



max 85°C max 185°F
 for maximum of 3 minutes

max 130 kg max 287 lbs



Clean the product with a solvent-free cleaning agent (pH level 6–9), or with a 70% disinfectant solution. Can be decontaminated at max. 85°C / 185°F if so required.



Accessories



Description
Clean Soft Seat Pad, green
Clean Soft Seat Pad, grey
Heat-reflecting soft seat with good anti-slip properties even when wet.
Recess width: 17 cm 6¾"
Material Cellular polyethylene

Item no.
80209236 ✓
80209260 ✓



Description
Soap dish, Green
Soap dish, Grey
Attached to the side of the chair. Built-in holder for the shower handle.

Item no.
81701140
80209266



Description
Cushion, Protect
Air-inflated ROHO cushion with excellent pressure distribution properties. The air pressure is adjustable.
Recess width: 21 cm 8¼"
Material: Neoprene

Item no.
80209245



Description
Clean Cross Bar
Attached to the arm supports.
Material Aluminium, cellular polyethylene & polypropylene

Item no.
80209246 ✓



Description
Clean Comfort pad
A comfortable, hygienic seat pad which makes the hole a little smaller.
Recess width: 18 cm 7"
Material Polyurethane

Item no.
80209248 ✓



Description
Clean Safety belt
Attached to the rear of the back support.
Material Polyester

Item no.
80209034 ✓



Description
Clean Comfort seat
Etac Clean's softest Comfort seat. The Comfort seat is contoured for added security and comfort. Intimate recesses at both front and back provide good accessibility.
The seat can easily be added and removed and can be cleaned at temperatures up to 85°C.
Material: polyurethane.

Item no.
80209227 ✓



Description
Heightening spacers
Raise the seat by five centimetres. Do not fit Clean 24" rear wheels or Clean Height Adjustable.
Material: Aluminium

Item no.
80209243



Description
Seat cover
When a complete seat is required.
Material: Polyurethane

Item no.
80209247



Description
Rear wheel adapter
Only fits Clean with a seat height of 55 cm 21¾".
Material: Aluminium, polyamide

Item no.
80209242



Description
Clean Soft Back Pad, green
Clean Soft Back Pad, grey
Heat-reflecting soft back pad.
Material Cellular polyethylene

Item no.
80209238 ✓
80209261 ✓



Description
Elevating leg support, right
Elevating leg support, left
Attachments included. Only fits Clean height adjustable.
Material leg support: ABS plastic

Item no.
80209252
80209253



Description
Clean Comfort, Comfort cover
A soft backrest with integrated armrest pads. The Comfort cover provides warm, soft support while the front of the armrest is left free to allow a secure grip when standing. The cover is cleaned using an alcohol wipe.
Material: polyethylene.

Item no.
80209228



Description
Flip up foot supports, pair
Removable, adjustable height. Attachments included. Only fits Clean height adjustable.
Material foot support: Polypropylene

Item no.
80209250



Description	Item no.
Clean Pan, green	80209230 ✓
Clean Pan, grey	80209254
Clean Lid ^{with handle} , green	80209232
Clean Lid ^{with handle} , grey	80209256
Clean Pan & Lid ^{with Handle} , green	80209231 ✓
Clean Pan & Lid ^{with Handle} , grey	80209255 ✓
Material Polyamide	



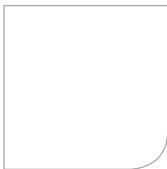
Description	Item no.
Attachment for low mounting of pan / bucket, green x 4	80209235 ✓
Attachment for low mounting of pan / bucket, grey x 4	80209259 ✓
Fitted to the pan/bucket holder.	
Material Polypropene	



Description	Item no.
Pan Holder, green	80209233 ✓
Pan Holder, grey	80209257 ✓
Fits both Clean pan and regular hospital pans with a thin rim.	



Description	Item no.
80mm non-lockable castors, green x 2	80209241
80mm non-lockable castors, grey x 2	80209264 ✓
Reduce seat height by 5 cm.	
The non-Lockable castors do not fit the Clean 24" rear wheels nor Clean Height Adjustable.	
Material polyamide/TPE	



Description	Item no.
Bucket Holder, Green	80209234
Bucket Holder, Grey	80209258
Fits bucket with a thick rim.	
Material Polypropene	




Description	Item no.
80mm lockable castors, green x 2	80209240 ✓
80mm lockable castors, grey x 2	80209263 ✓





 **etac**®
Creating Possibilities

“Everyone should be able to live a free and independent life and pursue their dreams regardless of any physical circumstances.”

 = Standard Stock Item