

# Phoenix

Multifunction-Wheelchair



rostfrei  
leicht zu reinigen  
sehr gut zu  
desinfizieren  
langlebig

[www.djmed.com.au](http://www.djmed.com.au)

# Phoenix

Multifunction-Wheelchair

*Tilting adjustment  
infinitely variable!*



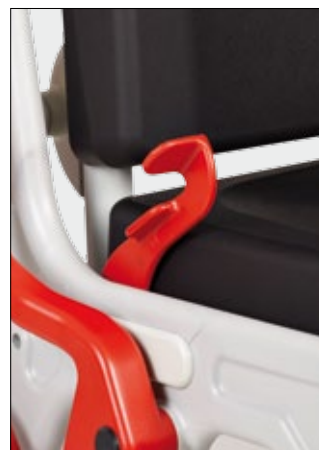
ref.no. 350.30.40



adjustable headrest

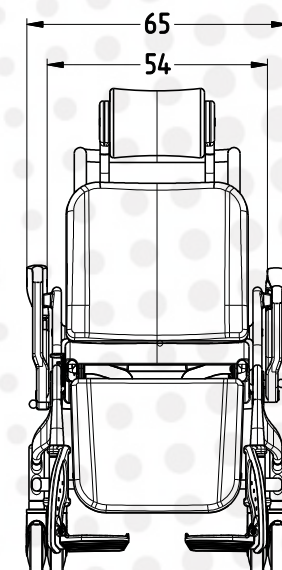
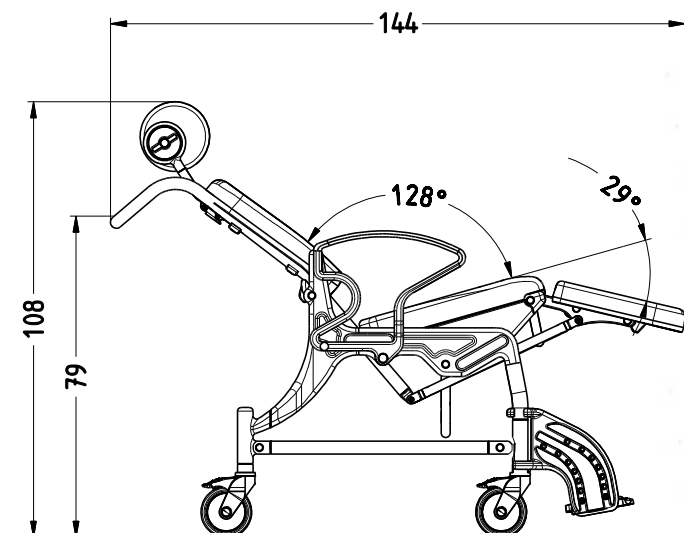
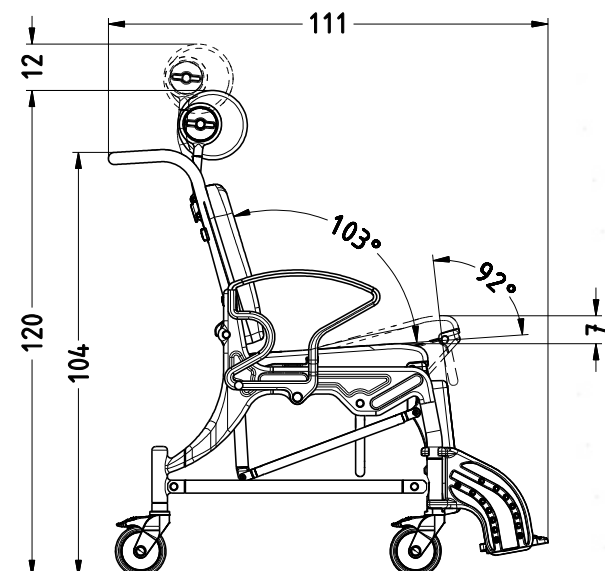


swinging armrest



lever lock for reclining

All dimensions in cm.



**Equipment:**

- adjustable headrest
- tilting adjustment
- swinging armrest
- 4 braked 5-inch swivelling castors
- approved up to 150 kg body weight

**Phoenix**

- seat with hygiene opening
- incl. bucket and bucket device

ref. no. 350. ... 10

Colour	Colourcode
grey/grey	03
grey/black	10
grey/fire-red	30
grey/rubin-red	44
grey/blue	54

Type:	Phoenix	Phoenix
depth:	111 cm	
width:	65 cm	
seat depth:	43 cm	
seat height:	58 cm	57 cm
seat width:	54 cm	
weight:	29,3 kg	28,8 kg
max. body weight:	bis 150 kg	
ref. no.:	350. ... 10	350. ... 40

# Phoenix

Multifunction-Wheelchair, height adjustable

*Height adjustment  
electrically or  
hydraulically*



ref.no. 352.10.10



electric drive

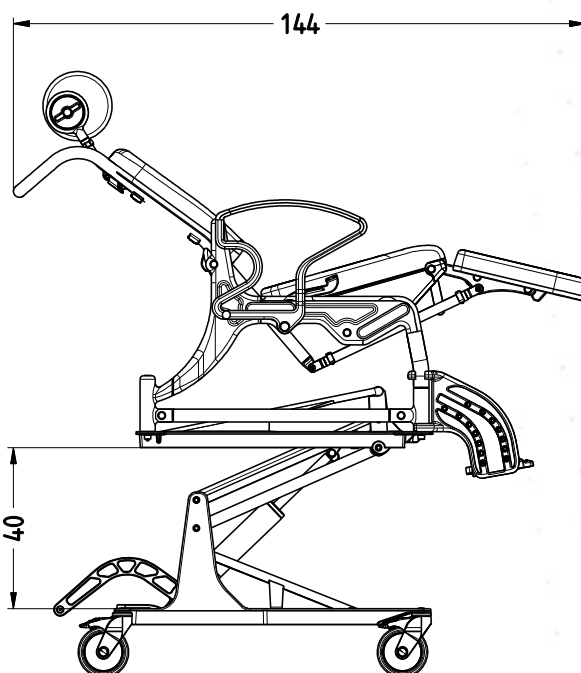
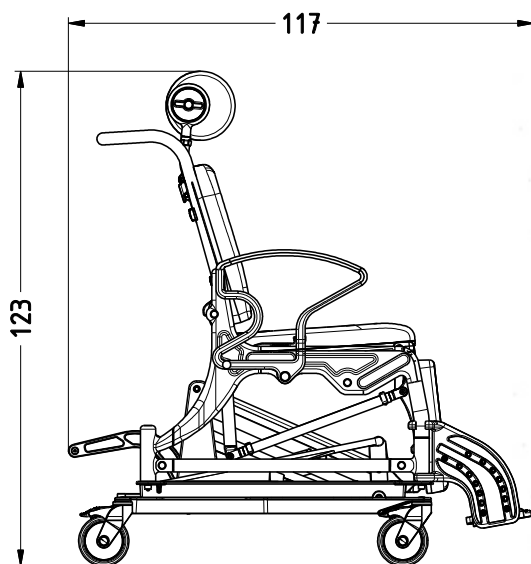


hydraulically height  
adjustable Phoenix



hydraulic drive

All dimensions in cm.



**Equipment:**

- height adjustable
- adjustable headrest
- tilting adjustment
- swinging armrest
- 4 braked 5-inch swivelling castors
- approved up to 150 kg body weight

**Phoenix**

with electrical height adjustment

- seat with hygiene opening
- incl. bucket and bucket device

**ref.no. 352. ... 10**

**Phoenix**

with hydraulic height adjustment

- seat with hygiene opening
- incl. bucket and bucket device

**ref.no. 351. ... 10**

Colour	Colourcode
grey/grey	03
grey/black	10
grey/fire-red	30
grey/rubin-red	44
grey/blue	54

Type:	Phoenix electrical		Phoenix hydraulic	
depth:	112 cm		117 cm	
width:	68 cm		68 cm	
seat depth:	43 cm		43 cm	
seat height:	60-100 cm	59-99 cm	60-100 cm	59-99 cm
seat width:	54 cm		54 cm	
weight:	53,6 kg	53,0 kg	52,4 kg	51,8 kg
max. body weight:	bis 150 kg		bis 150 kg	
ref. no.:	352. ... 10	352. ... 40	351. ... 10	351. ... 40

# Accessories

## *Comfort headrest*

- *increased lateral support*
- *adaptable neck- or headrest through off-center rotation*



ref.no. 350.54.10

**Accessories:**

**1. IV pole**

ref. no. 440.00.93

**2. Headrest, lateral support**

ref. no. 450.10.59

**3. Safty belt**

size M/L

- chest and pelvic belt

ref. no. 322.30.20

**4. Armrest cushion**

ref. no. 440.10.32

**5. Splash protection**

ref. no. 440.10.40

**6. Safety belt**

size S

- leg belt

ref. no. 322.30.10



[www.djmed.com.au](http://www.djmed.com.au)

Distributed by:

DearJane Medical  
DearJane.com.au

[sales@dearjane.com.au](mailto:sales@dearjane.com.au)  
1300 770 161

10/20 Barcoo Street, Roseville, NSW 2069